



PIRANHA

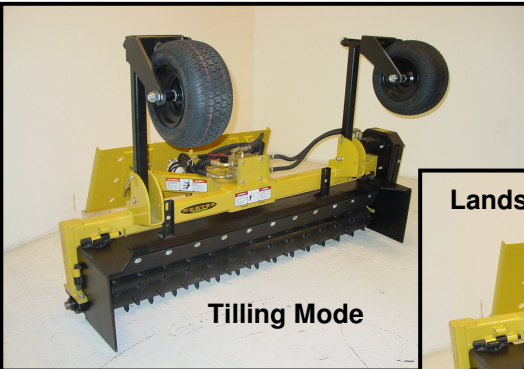
By

NORTEC

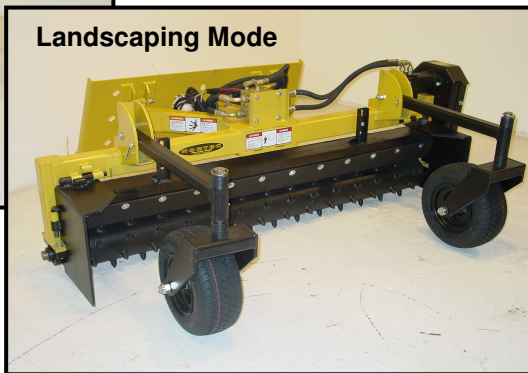


PSX
Series

Soil Processor



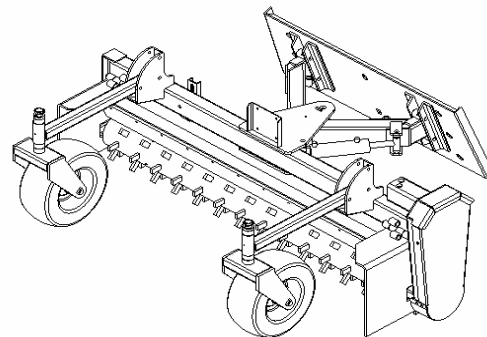
Tilling Mode



Landscaping Mode

PSX600 6-foot, Skid Steer
PSX700 7-foot, Skid Steer
Designed For The Under 65hp Skid Steer Market

The SX Series is uniquely designed for use with skid steers under 65hp. Introducing the 6-foot PSX600 & 7-foot PSX700. The SX Series offers the performance, durability and compatibility needed for the under 65hp skid steer.



INDUSTRY EXCLUSIVE

Quick Change Rotor and 3 Rotors to choose from.
2" Sabre Tooth, 1 3/4" Carbide Aggressor, Flat Bar/Processing Rotor

Specifications

- Mainframe: 3" X 4" X 1/4" Structural steel frame
- Gauge Wheels: Flip-up, Adjustable, Removable
- Drive: Hydraulic
- Drive Chain: #80 Single Roller Chain and Self-Adjusting Tensioner
- Hyd. Couplers: Standard Equipment (Universal Flat Face)
- Mount: Universal skid steer
- Side Shields: Quick-flip, Standard Equipment
- Angle: Left, Right and Straight, Standard Equipment
- Angle: Manual Angle or Hydraulic Angle
- Materials Bar: Adjustable, Standard Equipment
- Rotor Bearings: Triple Seal Rotor Bearing
- Rotor Brg.Housing: Steel Cut & Replaceable
- Rotors: Sabre Composite Metal Tooth
Aggressor Carbide Tooth
- Special Rotor: Processing or Rotary Broom

- Operate in Landscaping Mode: **Yes**
- Operate in Tilling Mode: **Yes**
- Greaseable Rotor Bearings: **Yes**
- Quick-Tach Rotors: **Yes**
- Flex and Float Hitch: **Yes**
- Material Bar Safety Slider: **Yes**
- High Folation Rear Tires: **Yes**
- Option's Material Side Shield Ski/Shoe: **Yes**



Performance Through Design

What it does

PIRANHA is a piece of equipment that makes landscaping quick and easy. The rotor turns in a counter-rotating motion, putting rock and debris between the end shields while processing the dirt through the machine, leaving an excellently prepared seed bed. Operating the PIRANHA with the gauge wheels down puts the PIRANHA in the landscaping mode. Operating the PIRANHA with the gauge wheels in the "up" position puts the machine in the tilling mode. Flip up the end shields and angle the PIRANHA to windrow rock and debris either by manual or hydraulic turn.

For More Information Call 715-623-6300 Ask For Product Support Center

www.nortecmfg.com